

Capacitor Outlines

Capacitor Dimensions Uninsulated (Inches)

| Case Diameter | C | E |
|---------------|-------|-------|
| 1.375 | 0.500 | 0.391 |
| 1.750 | 0.750 | 0.406 |
| 2.000 | 0.875 | 0.500 |
| 2.500 | 1.125 | 0.625 |
| 3.000 | 1.250 | 0.750 |

| Insulation Type | Insulation Adder | |
|-----------------|------------------|-------|
| | D | L |
| 0.008 PVC | 0.016 | 0.024 |
| 0.012 PVC | 0.024 | 0.040 |
| 0.016 PVC | 0.032 | 0.048 |

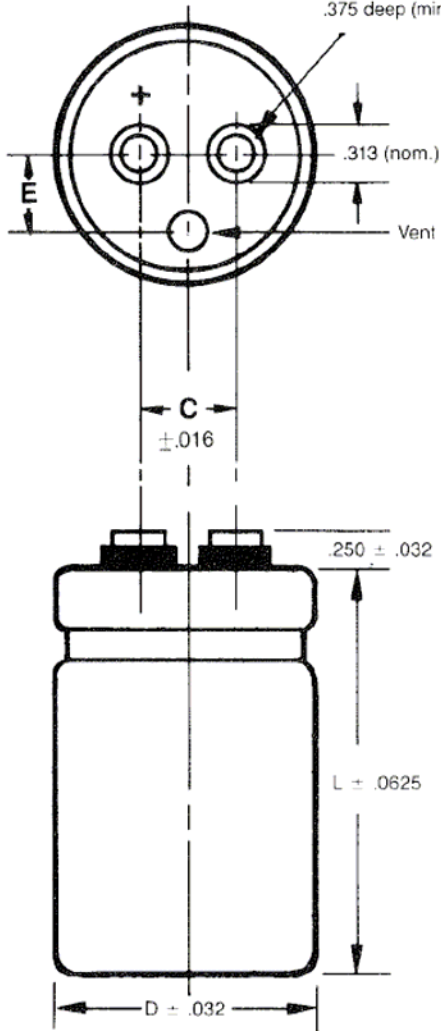
High Post (H) Screw Insert Terminal

Metric Terminal High Post (M)

For (M) Terminal

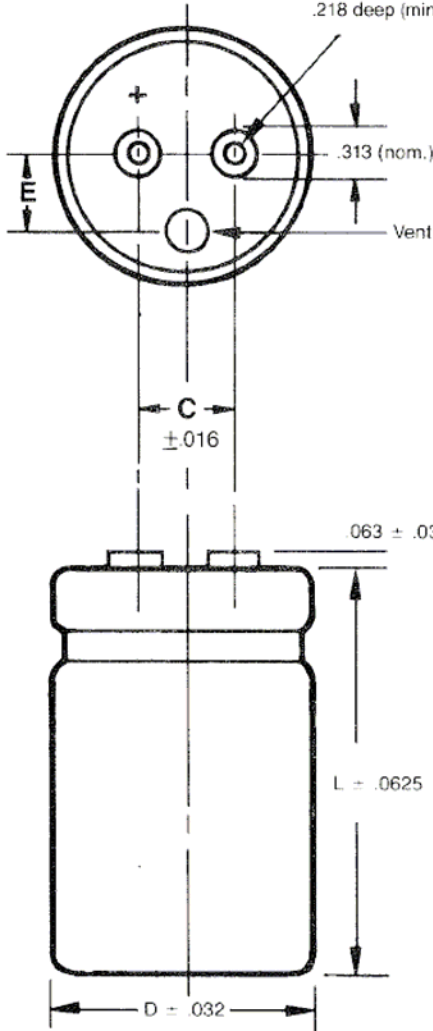
M-5 Screw
Internal Thread
9.5 mm (nom.)

No. 10-32 Class 2B*
Internal thread
.375 deep (min.)



Low Post (L) Screw Insert Terminal

No. 10-32 Class 2B*
Internal thread
.218 deep (min.)



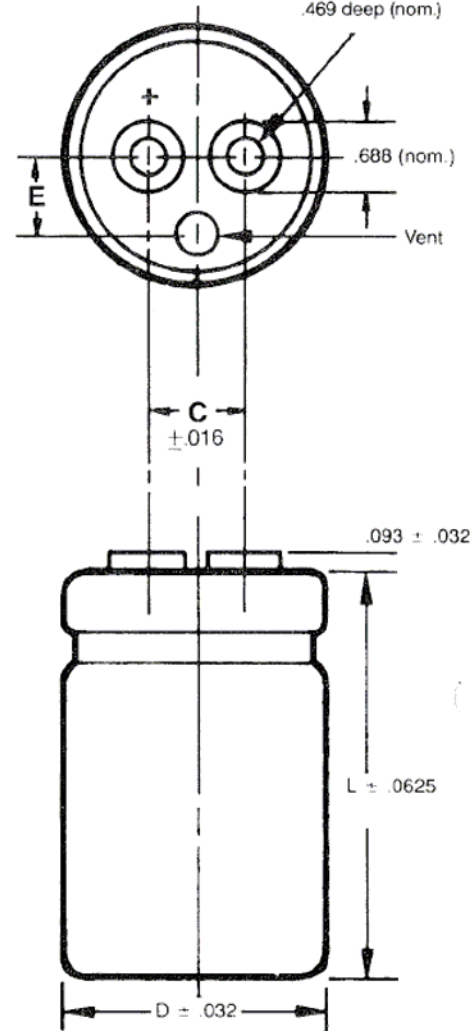
High Current (D) Screw Insert Terminal

2.500 or 3.000 only
Metric Terminal High Current (K)

For (K) Terminal

M-6 Screw
Internal Thread
11.9 mm (nom.)

No. 1/4 x 28 nf-2B*
Internal thread
.469 deep (nom.)

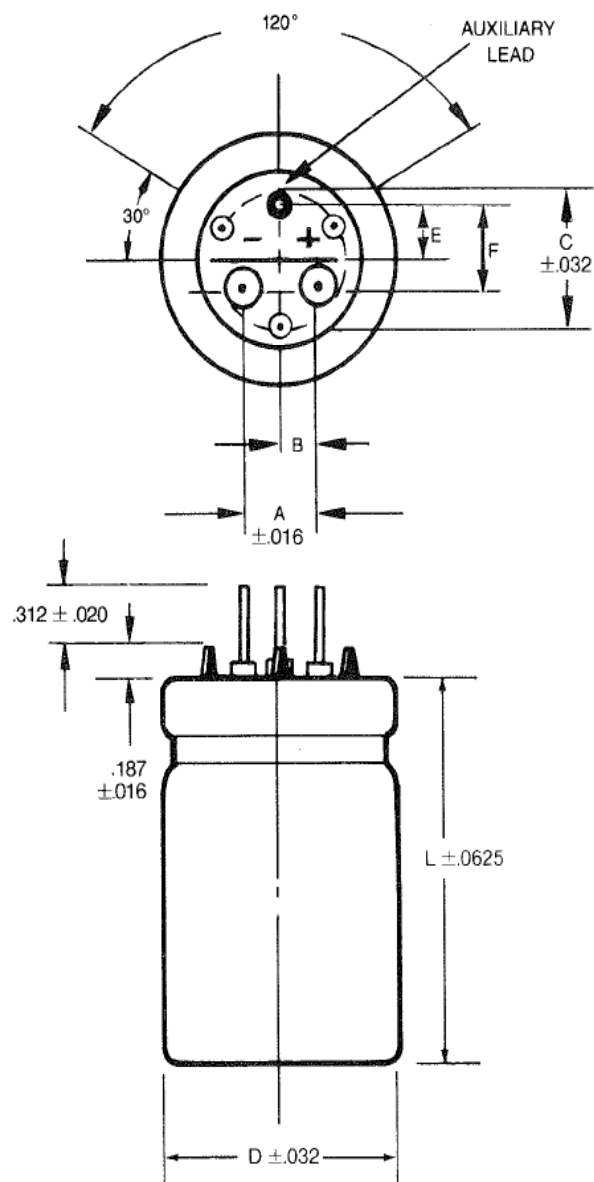


Capacitor Dimensions Uninsulated (Inches)

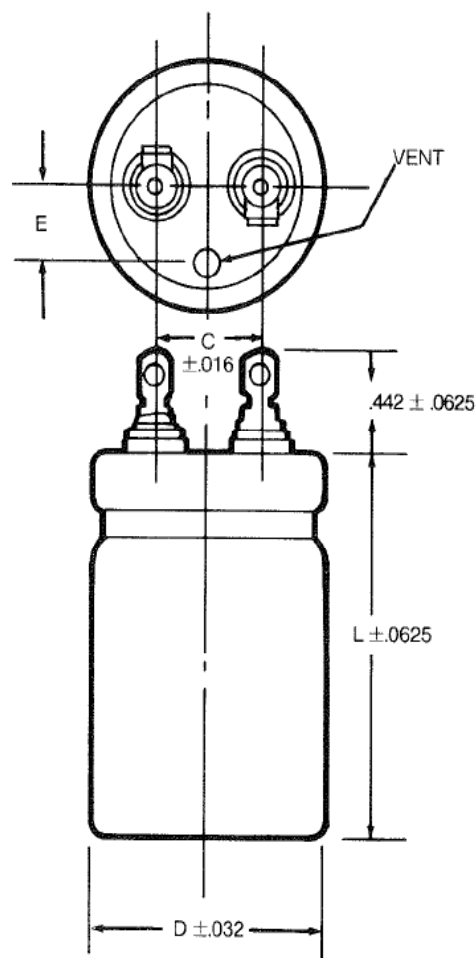
| Case Diameter | A | B | C | E | F | Lead Size Nom. Dia. | AWG No. |
|---------------|-------|-------|-------|-------|-------|---------------------|---------|
| 1.375 | 0.500 | 0.250 | 0.937 | 0.375 | 0.550 | 0.064 | 14 |
| 1.750 | 0.700 | 0.350 | 1.250 | 0.525 | 0.900 | 0.064 | 14 |
| 2.000 | 0.800 | 0.400 | 1.500 | 0.575 | 1.000 | 0.064 | 14 |

| Case Diameter | C | E |
|---------------|-------|-------|
| 1.375 | 0.500 | 0.391 |
| 1.750 | 0.750 | 0.406 |
| 2.000 | 0.875 | 0.500 |
| 2.500 | 1.125 | 0.625 |
| 3.000 | 1.250 | 0.750 |

PC (P) Mounting Terminal



Solder Lug (S) Terminal



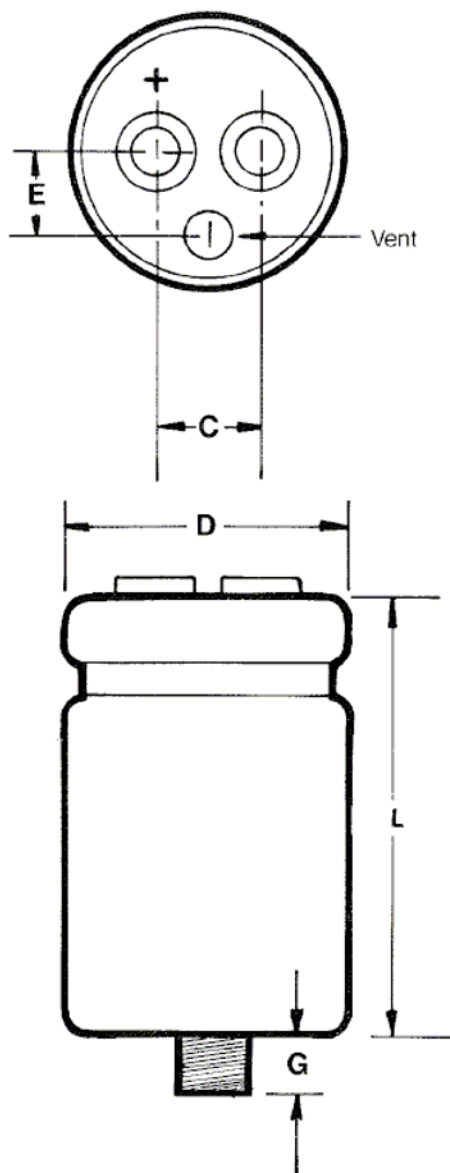
Capacitor Outlines

Capacitor Dimensions Uninsulated

| Case Diameter | Stud Thread Type | G (mm) |
|---------------|------------------|--------|
| 1.375 | M8 | 12 |
| 1.750 | M12 | 16 |
| 2.000 | M12 | 16 |
| 2.500 | M12 | 16 |
| 3.000 | M12 | 16 |

Studded Bottom Mount Case Available with High Post (H), Low Post (L), and High Current (D) Screw Insert Terminals

Studded Bottom Mount Case



High Current / High Screw (N) Terminal

